

F6 Hinge

Removable style - Concealed - Heavy-duty

Features

- High strength and durability
- Allows door removal without using tools
- Retractable pin version resists vibration and prevents pin loss

Product Performance

- Operating temperature range: -40 °C to 85 °C

Steel:

- Radial load:
 - Maximum static load: 1,000 N
 - Average ultimate load: 2,100 N
- Axial load:
 - Maximum static load: 2,900 N
 - Average ultimate load: 4,900 N

Material

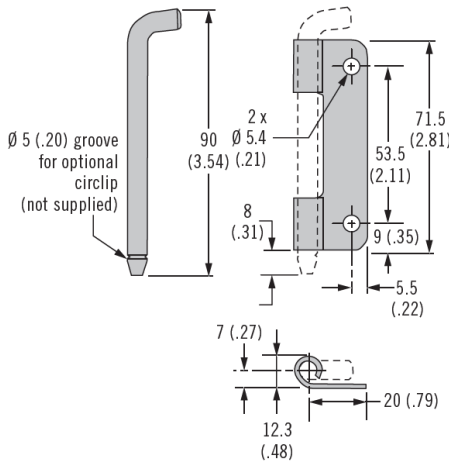
- Steel, zinc plated or stainless steel, natural

Stainless Steel

- Radial load:
 - Maximum static load: 1,300 N
 - Average ultimate load: 2,800 N
- Axial load:
 - Maximum static load: 3,600 N
 - Average ultimate load: 6,000 N

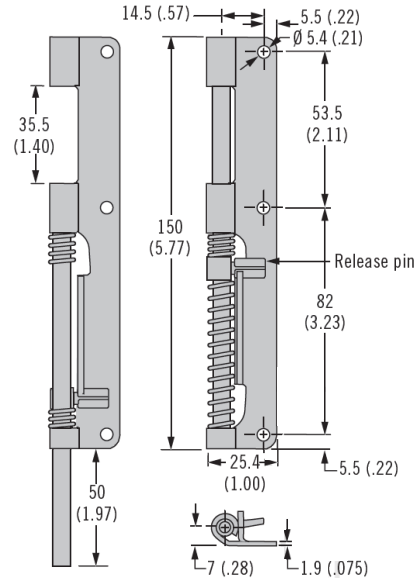


Door Leaf Removable Pin Style



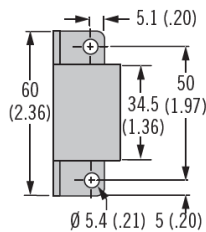
Retractable Pin Style

Type A shown, Type B mirror image

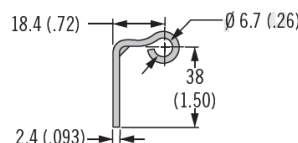
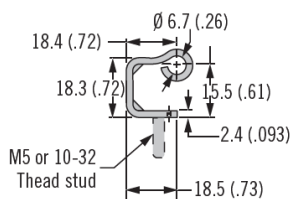
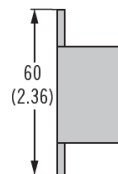


Part Number		
Styles	Material	
	Steel	Stainless steel
Removable pin	F6-946	F6-946-5
Retractable pin type A	~	F6-941-5
Retractable pin type B	~	F6-942-5

Frame Leaf Formed Style



Flat Style

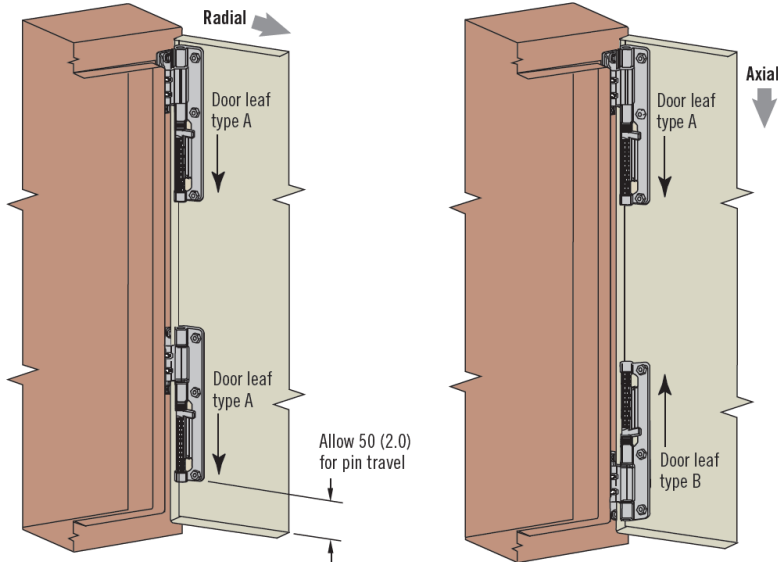


Part Number			
Style	Installation	Material	
		Steel	Stainless steel
Formed	Thru hole	F6-905	F6-905-5
Formed	M5 thread stud	F6-908	F6-908-5
Formed	10-32 thread stud	F6-907	F6-907-5
Flat	Weld	F6-904	F6-904-5

Installation Notes

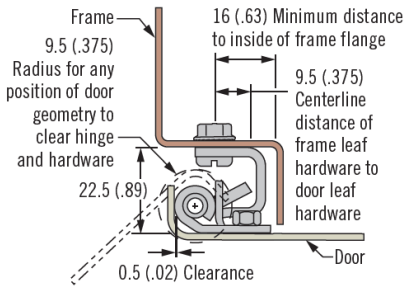
- Order separately 1 door leaf and 1 frame leaf for a complete assembly
- Screws not supplied
- Hinge leaves may be fastened to the door and the frame by: M5 hardware (machine screws are recommended) or by welding

Formed Frame Leaf

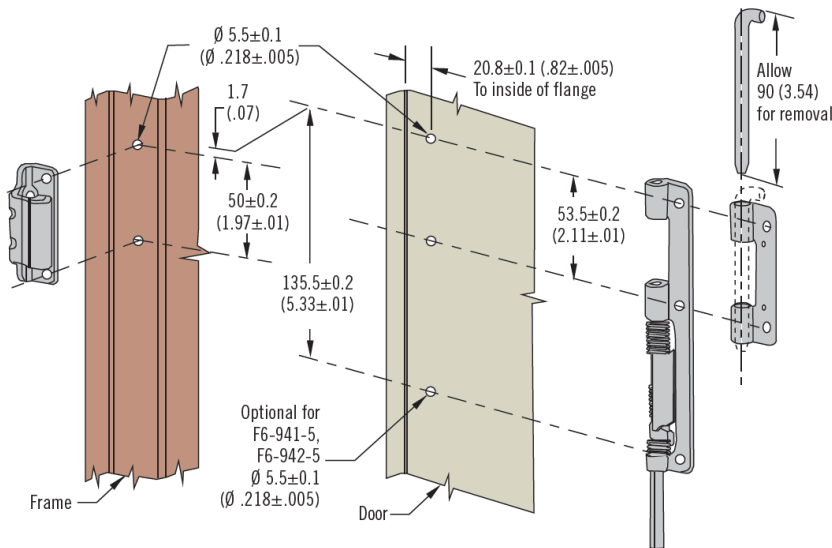
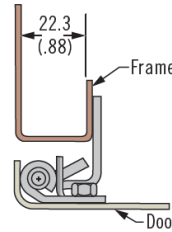


Installation

Typical door and frame installation using formed frame leaf



Typical door and frame installation using flat frame leaf



southco®

We are proud to be Southco's authorized distributor of over 20 years